

CROSS LASERS  
**Nivel System**  
seria **CL1, CL4**

Cross lasers  
**CL1/CL1G, CL4/CL4R**

- even greater range
- accurate and reliable equipment
- fast leveling
- one-touch control

# Cross lasers Nivel System series CL1, CL4

## Cross lasers Nivel System best friend on the construction site

Nivel System is a Polish brand of measuring instruments for the construction and surveying introduced to the market in 2003. Nivel System products are aimed to a wide audience, for whom one of the basic criteria for selection is a reasonable price with a simultaneous guarantee of adequate quality, which provides the ability to use the professional measurement set in many applications in lower costs than before.

Nivel System instruments are characterized by its own original designs and colours, which makes the recognition of the brand simple and straightforward. Nivel System is an assurance of a safe and comfortable working in many common applications. Instruments meet the international standard for waterproof protection IP.

With a network of service centers spread across the country, each user has easy access to professional services.

## SPECIFICATION OF PRODUCTS

- **accurate and reliable equipment** – a clear laser beam ensures comfortable working in all conditions, the equipment allows you to work with a high accuracy of  $\pm 1 \text{ mm/5 m}$
- **even greater range** – pulse function allows you to work with laser sensor outdoors at large distances
- **versatility and multitasking** – laser beams can be displayed separately or all together. Horizontal scaled circle and micrometer (CL1/CL1G with standard adapter) provide precise fitting of the laser beam
- **intuitive operation** – one-touch control - turn on and measure!
- **fast leveling** – built-in electromagnetic compensator quickly levels the laser, dampens vibrations, provides comfort to users even on an unstable surface
- **resistant to damage** – the rubber parts of the laser housing, protect it from damage due to jolts and vibrations



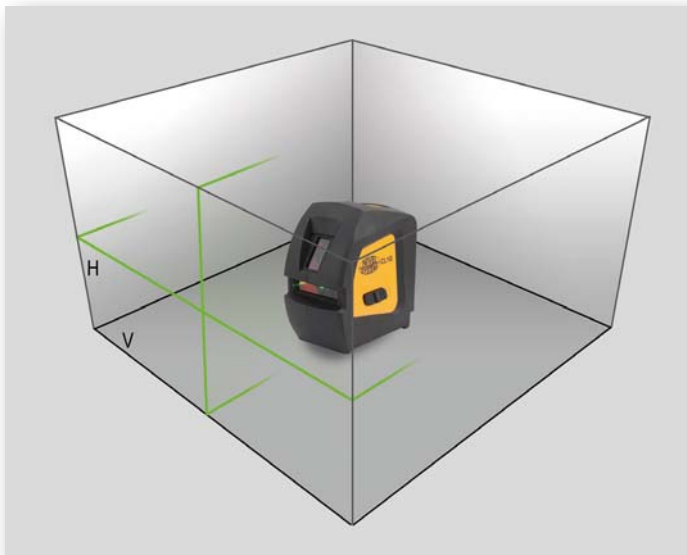
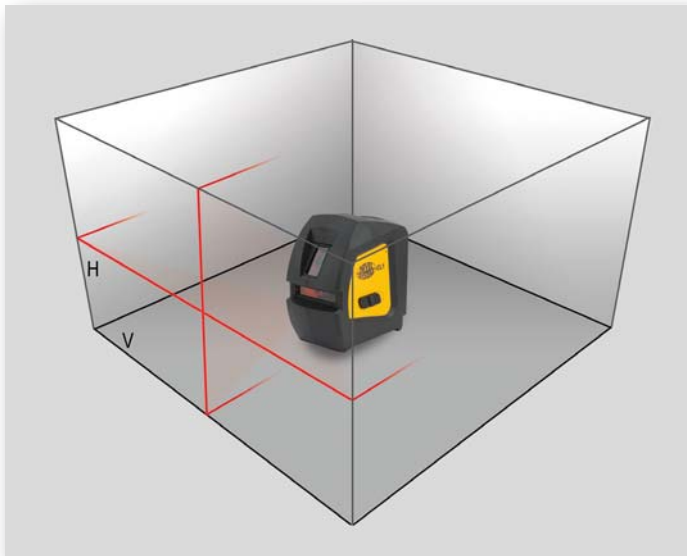
# Cross lasers Nivel System series CL1, CL4

## NIVEL SYSTEM CL1/CL1G

Cross lasers Nivel System CL1 (red beam) and CL1G (green beam) are designed for determining the horizontal and vertical plane, and both at the same time in the form of a cross with arms intersecting at 90° angles.

Equipment, thanks to a very distinct reference lines can be used for indoor and outdoor applications.

Pulse function allows using the laser sensor and working with instrument at greater distances, also on the outside. CL1 set include laser adapter for easy fitting of construction elements relative to the reference laser beam.

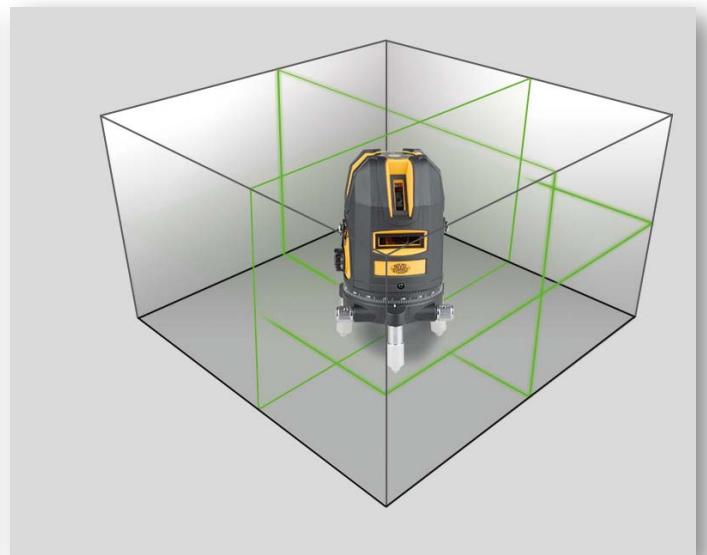
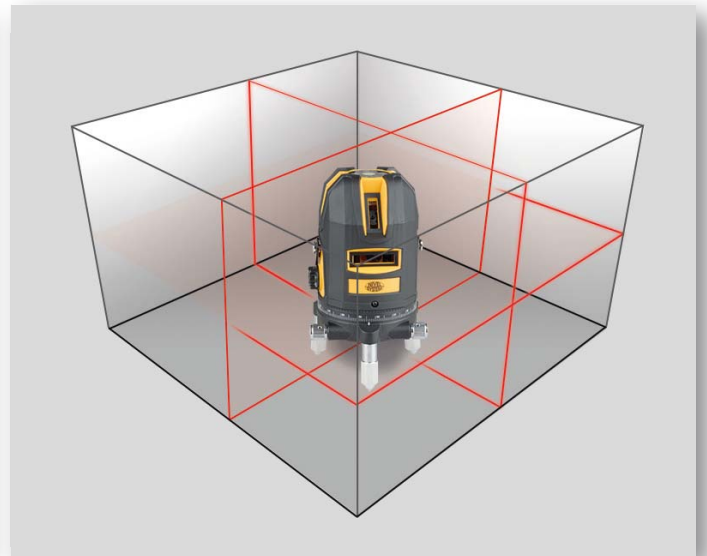


## NIVEL SYSTEM CL4/CL4G

Nivel system CL4 (red beam) and CL4G (green beam) are a cross lasers, offering comprehensive functionality. Thanks to that the equipment meets the tasks of measuring the general building works, bricklaying, construction and highly precise finishing work. High-quality laser optics allows to obtain precise measurements and bright, very well visible light beam.

Reference planes are determined by four vertical beam (2 planes 360°) and one horizontal. CL4 is equipped with tangent screw with scaled horizontal circle, allowing to precisely adjust the laser beam display direction (also in accordance with the value of the angle). In addition, the equipment has a laser plummet which allows easy setup of laser, fitting it at orthogonal works as well as transferring points (from floor to ceiling, etc.).

Nivel System CL4 is a cross laser, offering comprehensive functionality. Thanks to that the equipment meets the tasks of measuring the general building works, bricklaying, construction and highly precise finishing work.



# Cross lasers Nivel System series CL1, CL4

## SPECIFICATION

Models - CL1/CL1G		
Model	CL1	CL1G
Laser	red beam - 635 nm	green beam - 515 nm
Accuracy	±1 mm/5 m	
Wide width	<2,5 mm/5 m	
Angle of generated laser	90°±60"	
Self-levelling range	±3°	
Operating range	15 m (50m with a sensor)	
Waterproof rating	IP54	
Operating temperature range	-15°C do +45°C	
Power supply	4,5 V (3 baterie alkaliczne AA)	
Mount	1/4", 5/8"	
Dimensions	105 x 55 x 104 [mm]	
Weight	0,419 kg	

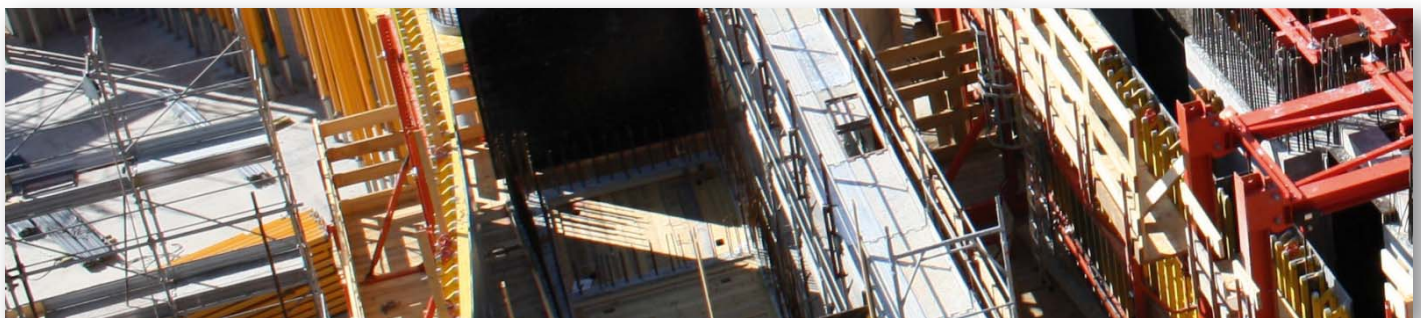
Models - CL4/CL4G		
Model	CL4	CL4G
Laser	red beam - 635 nm	green beam - 515 nm
Accuracy	±1,0 mm/5 m	
Wide width	<2,5 mm/5 m	
Plane display	3 (2 pionowo, 1 poziomo)	
Laser plummet	Tak (w dół)	
Self-levelling range	±3°	
Operating range	15 m (50m with a sensor)	
Waterproof rating	IP54	
Operating temperature range	-15°C do +45°C	
Power supply	4,5 V (3 baterie alkaliczne AA)	
Mount	5/8"	
Dimensions	110 x 191 [mm]	
Weight	0,997 kg	

### SET INCLUDES

- cross laser CL1/CL1G - 1 pc.
- adapter CL-BR2 - 1 pc.
- case (bag) - 1 pc.
- batteries - 1 set
- carrying case - 1 pc.

### SET INCLUDES

- cross laser CL4/CL4G - 1 pc.
- glasses - 1 pc.
- batteries - 1 set
- carrying case- 1 pc.



[www.nivelsystem.com](http://www.nivelsystem.com)

Dystrybutor Nivel System

